

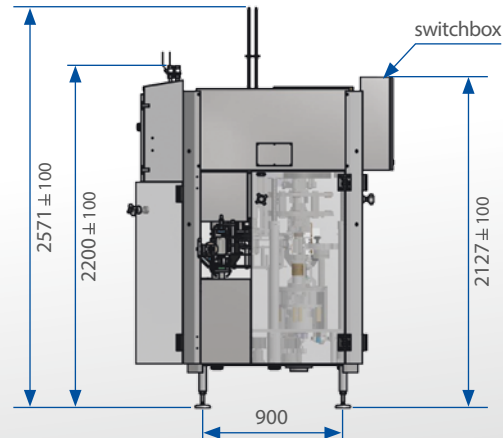
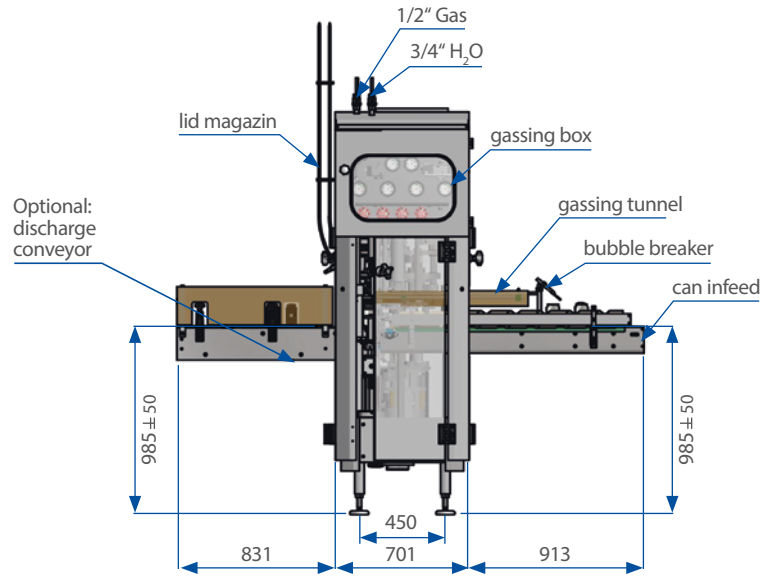
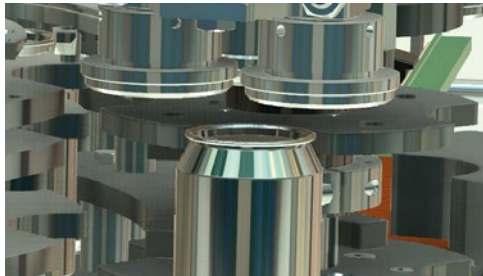


LW502-S in Craft-Brewery

## LW 500 series

Lubeca's stainless steel seamers match the Craft Brewers requirements, especially due to their compact design and easy accessible seaming caroussel.

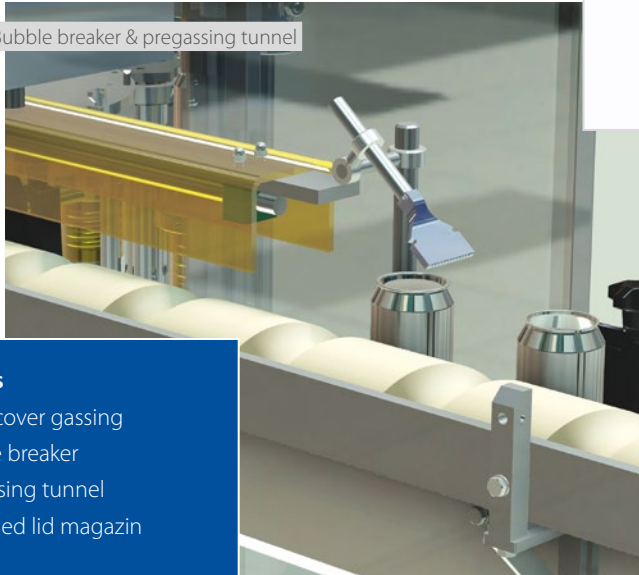
The seamer type LW 500-S was designed to provide small and medium-sized canning businesses with an affordable stainless steel machine to run an output of 20 to 60 (80) cans/minute (2-head seamer LW 502-s) or up to a maximum of 120 (160) cans/minute (4-head seamer LW 504-s). A subsequent upgrade to the fully equipped 4-head seamer unit is possible whenever higher demands require it. This allows for the highest level of flexibility with shortest set-up times for the can closing operation.



## Product features

- Complete stainless steel design
- Easy access for cleaning and maintenance
- Infeed table with timing worm or finger chain
- Titanium Coated seaming rolls for longest life

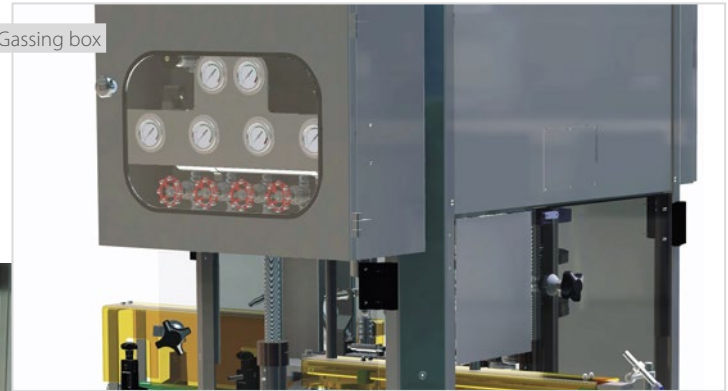
Bubble breaker & pregassing tunnel



## Options

- Undercover gassing
- Bubble breaker
- Pregassing tunnel
- Extended lid magazin
- CIP
- Filler drive  
(shaft/belt/servo drives)

Gassing box

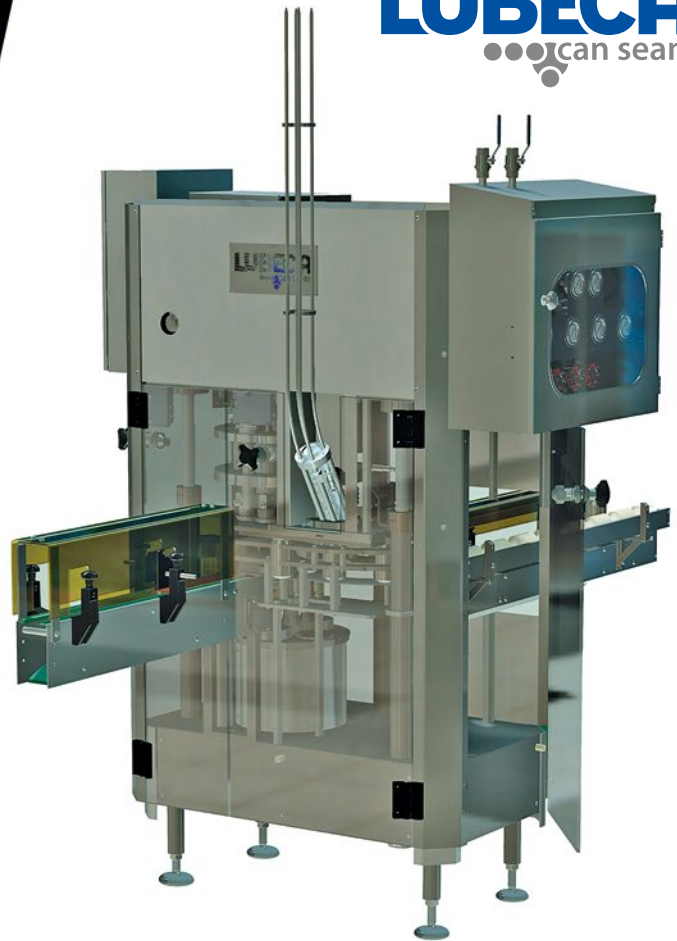


## Technical Data

### LW 502-S

### LW 504-S

Ø in inches (mm)	200 – 401 (50 – 99)	200 – 401 (50 – 99)
Can height in inches (mm)	200 – 703 (50 – 190)	200 – 703 (min. 50 – max. 190)
Seaming heads	2	4
Cans/min.	20 – 60 (80)	... 160
Motor kW (Optional filler drive)	3,0 (4,0)	3,5 (4,0)
Nominal voltage	230/380/400/480	230/380/400/480
Compressed air	0,3 l/min.	0,5 l/min.
Dimensions in mm	1.300 x 1.200 x 2.400	1.300 x 1.200 x 2.400
Weight approx kg	1.250	1.340



Can Seaming Experience  
since 1901

LW 500 Craft Seamer